

INSTRUCTIONS FOR YOUR

HEAVYWEIGHT CHAMPION RELOADING PRESS



Features of the CH Heavyweight Champion Reloading Press:

1. Compound leverage — the CHampion press uses the “swinging toggle” principle to develop tremendous force at the ram. Your toughest reloading jobs will be easily handled by the “CHamp”!
2. Extra-large ram — maintains perfect alignment between die and shell holder.
3. No primer catcher is necessary — the ram has been specially drilled to allow spent primers and debris to fall through it. A waste basket placed under and slightly behind the press is all you will need to catch spent primers.
4. Die bushing — The casting hole is threaded 1¼x18. By simply changing or removing the top bushing, this press can easily handle 7/8”, 1”, and 1¼x18 dies from any manufacturer.

PREPARING THE CH HEAVYWEIGHT CHAMPION RELOADING PRESS FOR USE:

1. MOUNT THE PRESS TO YOUR BENCH

Your new CH Heavyweight CHampion press is provided with three mounting holes or slots, which will accommodate 3/8” bolts.

2. INSERT THE SHELLHOLDER

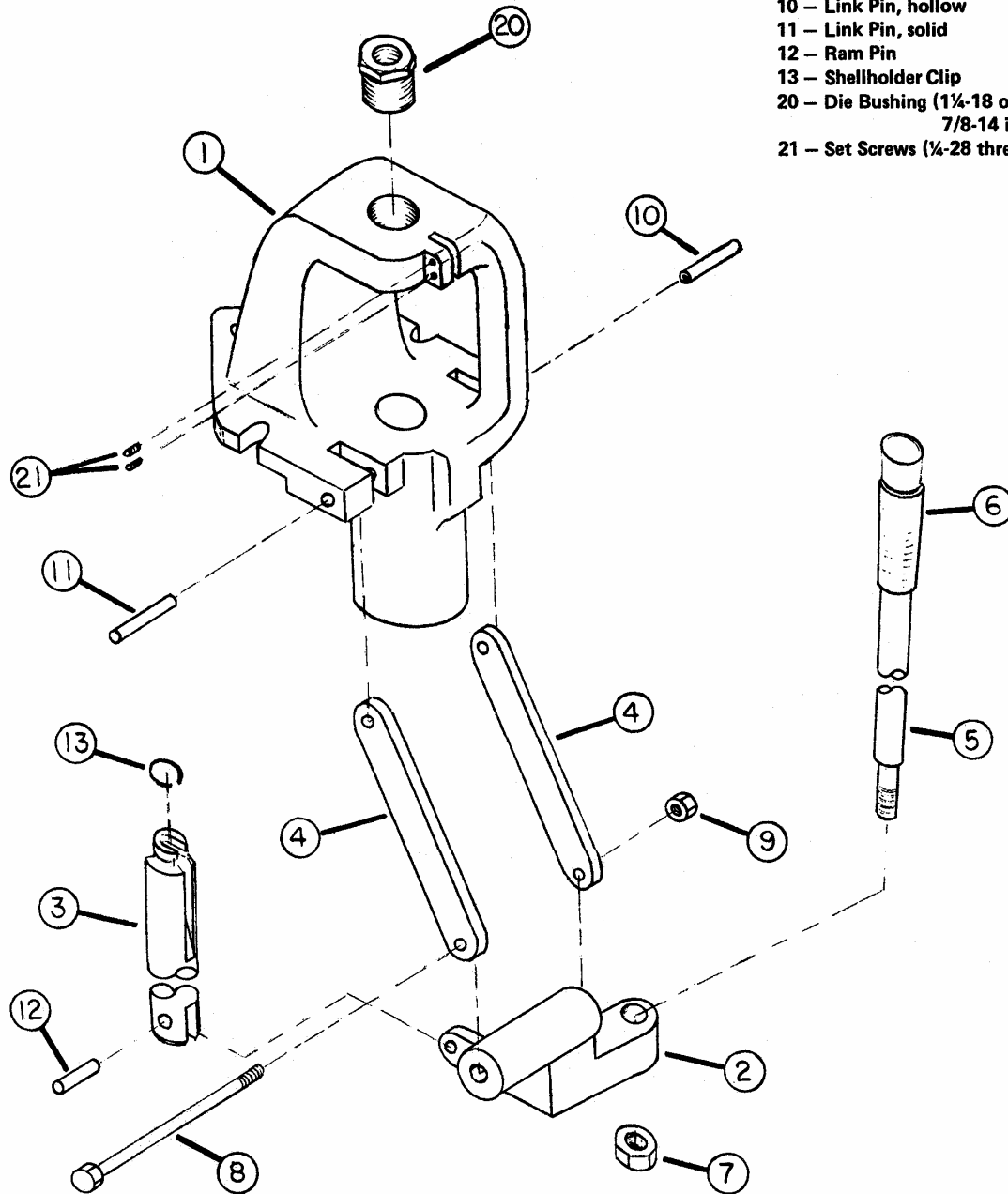
After selecting the proper shell holder for the caliber which you are reloading, slide it into the slot at the top of the ram.

MAINTENANCE

No adjustments are required for any part of the press. The only maintenance required is the lubrication of the moving parts with a drop or two of light oil (any gun oil will do EXCEPT the type that forms a dry film). It is recommended that the handle and other bare metal parts are given a light coating of oil to prevent corrosion.. The CH Heavyweight CHampion Reloading Press will, under normal use, give you a lifetime of trouble-free operation.

Champion Press Parts

- 1 – Casting
- 2 – Toggle
- 3 – Ram
- 4 – Link (2)
- 5 – Handle
- 6 – Grip
- 7 – Handle Nut
- 8 – Toggle Bolt
- 9 – Toggle Nut
- 10 – Link Pin, hollow
- 11 – Link Pin, solid
- 12 – Ram Pin
- 13 – Shellholder Clip
- 20 – Die Bushing (1¼-18 outside threads,
7/8-14 inside threads)
- 21 – Set Screws (¼-28 thread)



CH4D

PO Box 889

711 N. Sandusky St

Mt. Vernon, OH 43334

740-397-7214

<http://www.ch4d.com>